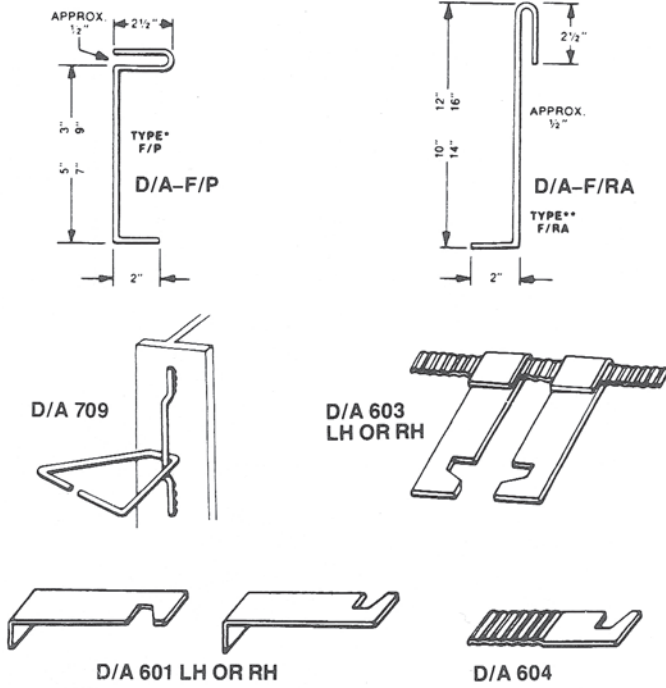


STANDARD ANCHORS (cont'd)

Column Anchors



Anchor Material Specifications

| | |
|-----------------------|--------------------|
| Carbon Steel Wire | ASTM A82 |
| Stainless Steel Wire | ASTM A580 Type 304 |
| Carbon Steel Sheet | ASTM A1008 or A109 |
| Stainless Steel Sheet | ASTM A167 Type 304 |

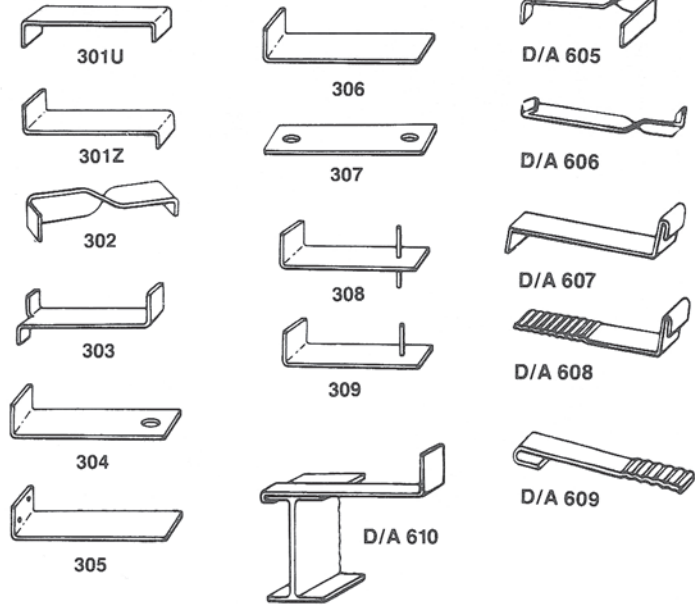
Anchor Material Thickness

| | |
|--------------|--------------|
| Wire Tri-Tie | 3/16" f w2.8 |
| Sheet Metal | 1/8" |
| Weld-on | 5/16" f |

Anchor Finish Galvanized

| | |
|-----------------------|---------------------------|
| Mill Galvanized | ASTM A641 0.10 oz./sq.ft. |
| Hot Dipped | ASTM A153 1.50 oz./sq.ft. |
| Mill Galvanized Steel | ASTM A525 Class G60 |

Miscellaneous Anchors



Anchor Material Specifications

| | |
|-----------------|--------------------|
| Carbon Steel | ASTM A1008 or A109 |
| Stainless Steel | ASTM A167 Type 304 |

Anchor Material Thickness

| | |
|-------------------|-------------------|
| Bent Plates | 1/8", 3/16", 1/4" |
| Corrugated Plates | 16 ga. |

Anchor Finish (Galvanized)

| | |
|-----------------|---------------------------|
| Mill Galvanized | ASTM A525 Class G60 |
| Hot Dipped | ASTM A153 1.50 oz./sq.ft. |



MASONRY