



MASONRY TO STRUCTURAL STEEL ANCHORS

Structural Anchors that Clip to Beam

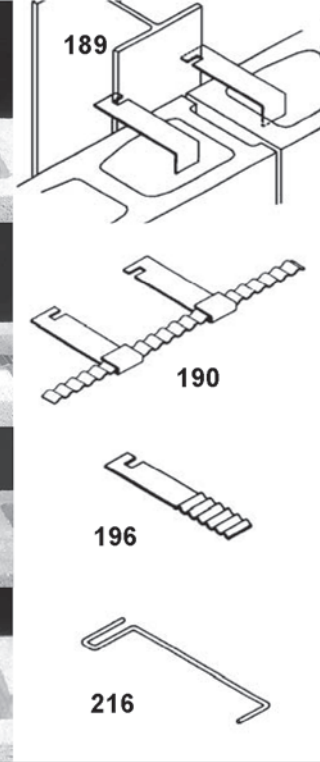
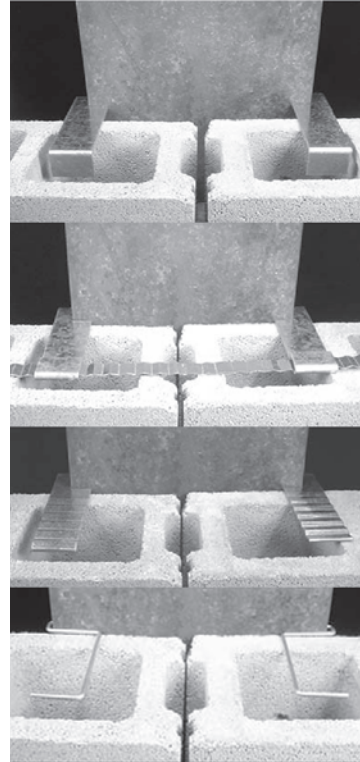
VERTICAL COLUMN - FLANGES PARALLEL TO WALL

No. 189 L-Type Column Anchor: 7" long x 2" wide x 1/8" thick x 1 1/2" bend. Standard flange slot is 5/8" wide x 1" deep x 1" from end. Order in pairs with one left and one right anchor. Specify Stainless, Hot Dip Galvanized after Fabrication or Mill Galvanized.

No. 190 Strap-Type Column Anchor: 7" long x 2" wide x 1/8" thick x 1 1/2" foldback. Standard flange slot is 5/8" wide x 1" deep x 1" from end. Corrugated wall tie is 22 gage x 1" wide x 24" long. Order in sets of left & right anchors and a wall tie. Specify Stainless, Hot Dip Galvanized after Fabrication or Mill Galvanized.

No. 196 Corrugated-Type Column Anchor: 7" long x 2" wide x 1/8" thick with 4 1/2" of corrugation. Order by piece, anchors are reversible for left or right hand use. Specify Stainless, Hot Dip Galvanized after Fabrication or Mill Galvanized.

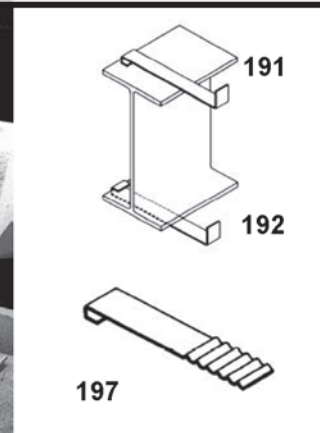
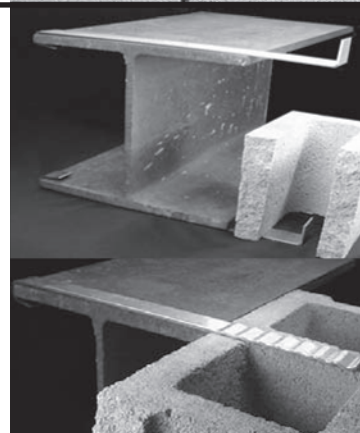
No. 216 Wire Type Column Anchor: 3", 5", 7", and 9" lengths from inside of flange slot to masonry bend x 3/16" or 1/4" diameter wire. Standard flange slot is 1/2" x 2 1/2". Bend is 2". Order by Piece. Specify Stainless, Hot Dip Galvanized after Fabrication or Mill Galvanized.



HORIZONTAL COLUMN - FLANGES PERPENDICULAR TO WALL

No. 191 Top Flange, No. 192 Bottom Flange Column Anchor: 10", 12", and 14" long from inside of flange hook to bend x 1 1/4" wide x 1/8" thick + 1 1/2" bend. Specify Stainless, Hot Dip Galvanized after Fabrication or Mill Galvanized.

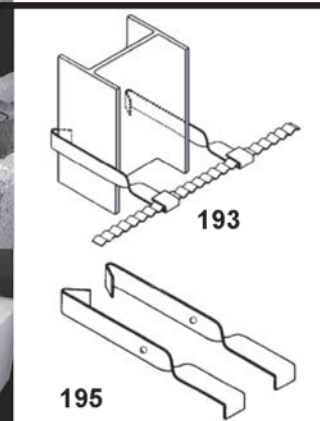
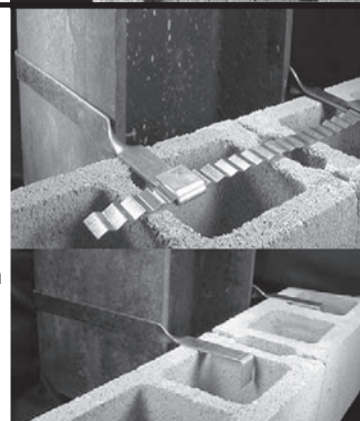
No. 197 Corrugated Column Anchor: Specify length required x 1 1/4" wide x 1/8" thick. Order by pieces, anchors are reversible. Specify Stainless, Hot Dip Galvanized after Fabrication or Mill Galvanized.



VERTICAL COLUMN FLANGES PERPENDICULAR TO WALL

No. 193 Twisted Strap-Type: Specify length required x 1 1/4" wide x 1/8" thick x 1 1/2" foldback. Specify length from hook to start of twist. Corrugated wall tie is 22 gage x 1" wide x 24" long. Order in sets of left and right anchors and a wall tie. Specify Stainless, Hot Dip Galvanized after Fabrication or Mill Galvanized.

No. 195 Twisted L-Type Column Anchor: Specify length required x 1 1/4" wide x 1/8" thick x 1 1/2" bend. Specify length from hook to start of twist and diameter and location of hole for bolting the anchor to beam. Specify Stainless, Hot Dip Galvanized after Fabrication or Mill Galvanized.



MASONRY