



4225 W. Ogden Ave. • Chicago, IL 60623 • Phone: (773) 522-1900

CONCRETE

POR-ROK

Anchoring Cement / Non-Shrink Grout

Sets in 15 minutes—Expands as it sets—Stronger than concrete in 1 hour

ANCHORS

Bolts—Dowels—Railings—Reinforcing Rods—Ceramic Fixtures—Machinery—Pipes in Concrete

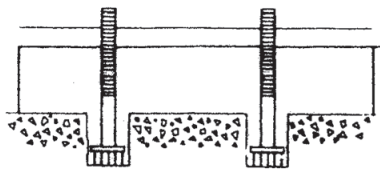
GROUTS

Heavy Machinery—Bearing Plates—Structural Columns—Precast Columns

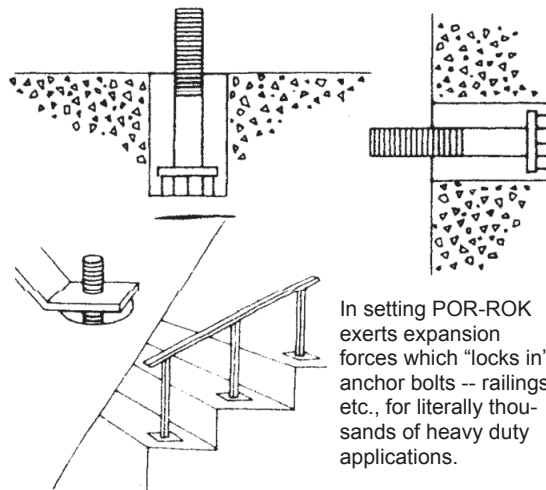
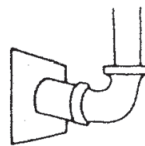
PATCHES

Floors—Walls—Cracks in Concrete Structures—Caulking Foundations—Wall Voids

- Compressive Strength: 9,254 psi
- Bond Strength: 72,000 lbs. pullout
- Reinforcing Rod Bond Strength: #8
- Non Shrinking / Non Rusting
- Controlled Expansion: .3%
- Coverage: 100 lbs. yields one cubic foot



POR-ROK's pourability makes it well suited for all types of grouting applications. 6500+ psi ultimate compressive strength provides a firm bed for heavy duty grouting applications.



In setting POR-ROK exerts expansion forces which "locks in" anchor bolts -- railings etc., for literally thousands of heavy duty applications.

PACKAGING & COVERAGE
50 lb. pail
100# yields 1 cu. Ft.

SUPER POR-ROK

Exterior Anchoring Cement / Non-Shrink Grout

Sets in 20 minutes—Expands as it sets—For use indoors and outdoors

BASIC USE: To produce a quick setting, pourable, non-metallic, non-shrink grout.

EXPANSION: Non-shrink controlled expansion of 1% + of Super Por-Rok cement.

WEIGHT PER CUBIC FOOT: Weight after setting up not to exceed 129 lbs. per cubic ft. based on 115 lbs. of Super Por-Rok ;mixed with 1 3/4 gallons of water.

FLEXURAL STRENGTH: 1260 psi

TENSILE STRENGTH: 450 psi

PACKAGING & COVERAGE
45 lb. pail
100# yields 1 cu. Ft.

BOND STRENGTH DATA

	Diameter of Hole (in.)	Depth of Hole (in.)	Avg. (lbs.) Bond Strength
1/2" A325 Bolts	1 1/2	6"	28,900 (Bolt Broke)
1" A325 Bolts	2 1/4	10"	73,000
#4 Rods (Deformed)	1"	8"	26,500 (Rod Fractured)
#8 Rods (Deformed)	2"	16"	75,000 (Rod Fractured)