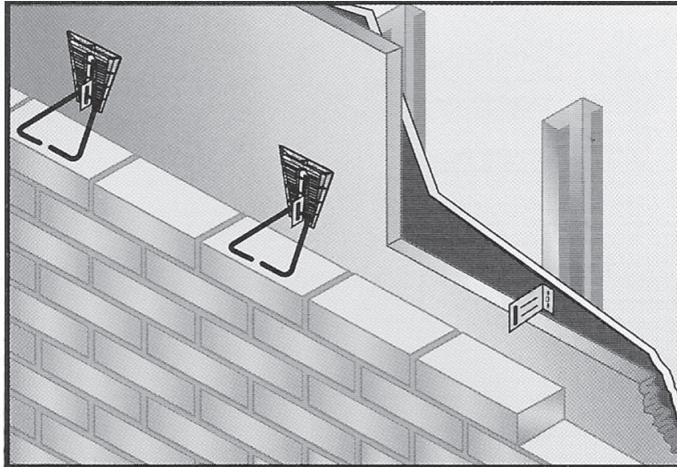


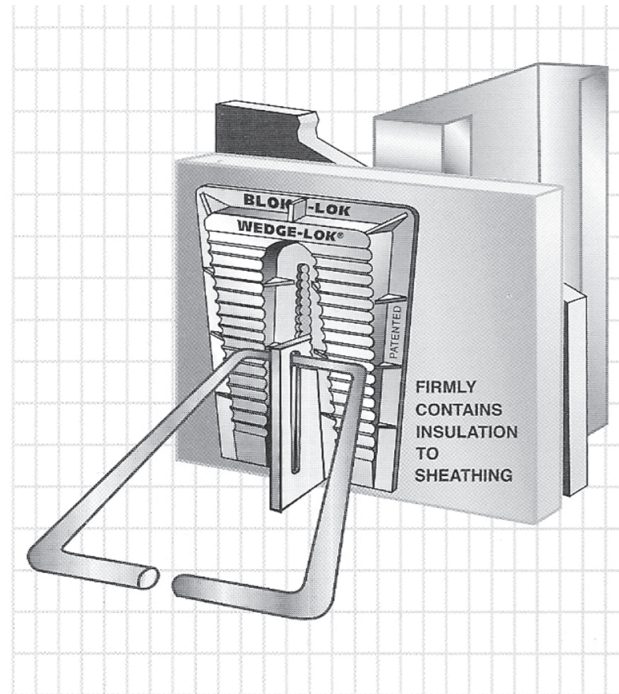
# BL-407 (cont'd)

## Installation for Steel Stud

BL-407 and Wedge-Lok® for Insulation Retention to Steel Stud



Recommended minimum spacing of one tie per 2.67 sq. ft. of wall area, spaced not more than 32" horizontal, and 18" vertical in the U.S.; 24" horizontal x 32" vertical per CSA.



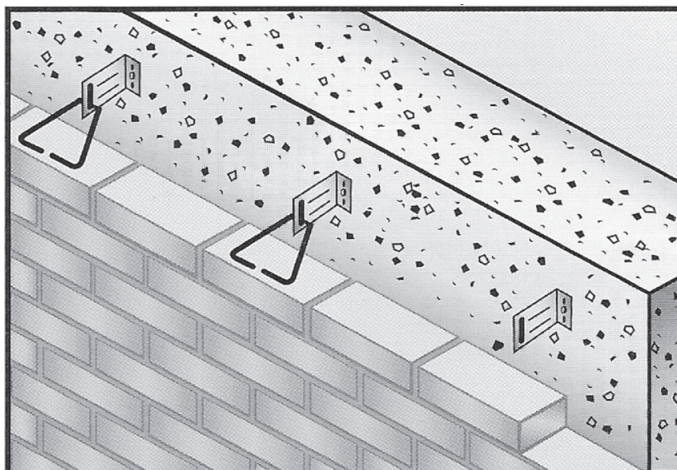
		Fastener Performance		
		Gauge	Ultimate Tension: lbs. (kg)	Ultimate Shear: lbs. (kg)
Steel Stud	Dual Hardened Grade 3 Stalgard N. 12-14	18	396 lbs. (180 kg)	1,315 lbs. (597 kg)
		16	527 lbs. (239 kg)	1,655 lbs. (750 kg)
	300 Stainless Steel	14	710 lbs. (322 kg)	2,118 lbs. (962 kg)
		16	855 lbs. (388 kg)	1,390 lbs. (631 kg)
Hollow Lightweight Block			900 lbs. (409 kg)	
N.W. Concrete (3500 psi)			2,100 lbs. (963 kg)	
Solid Brick			900 lbs. (409 kg)	

## Installation for Masonry and Concrete

# BL-5407

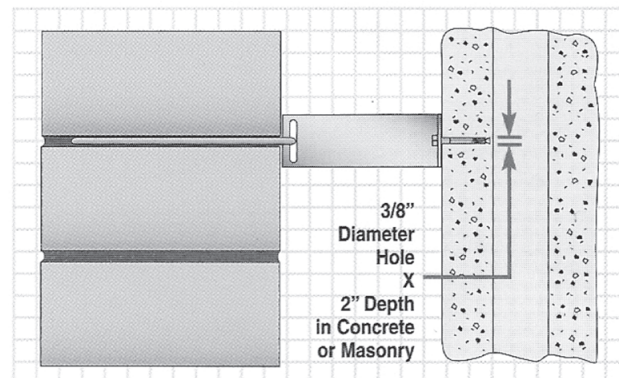
Fastener Assembly for Masonry and Concrete, with or without Insulation

**5407 for Concrete Back-Up**



- Torque Activated: 50-100 in. lb.
- Hex Head Finish - Low Profile
- Bolt Head Provides Inspection Source
- Low Profiles Avoids Insulation or Tie Interference
- Zinc Plated or Stainless Bolt with Brass Expanders
- Fastener Preload > Four Times Design Load

5407 for CMU Back-Up



Recommended minimum spacing of one tie per 2.67 sq. ft. of wall area, spaced not more than 32" horizontal, and 18" vertical in the U.S.; 24" horizontal x 32" vertical per CSA

**MASONRY**